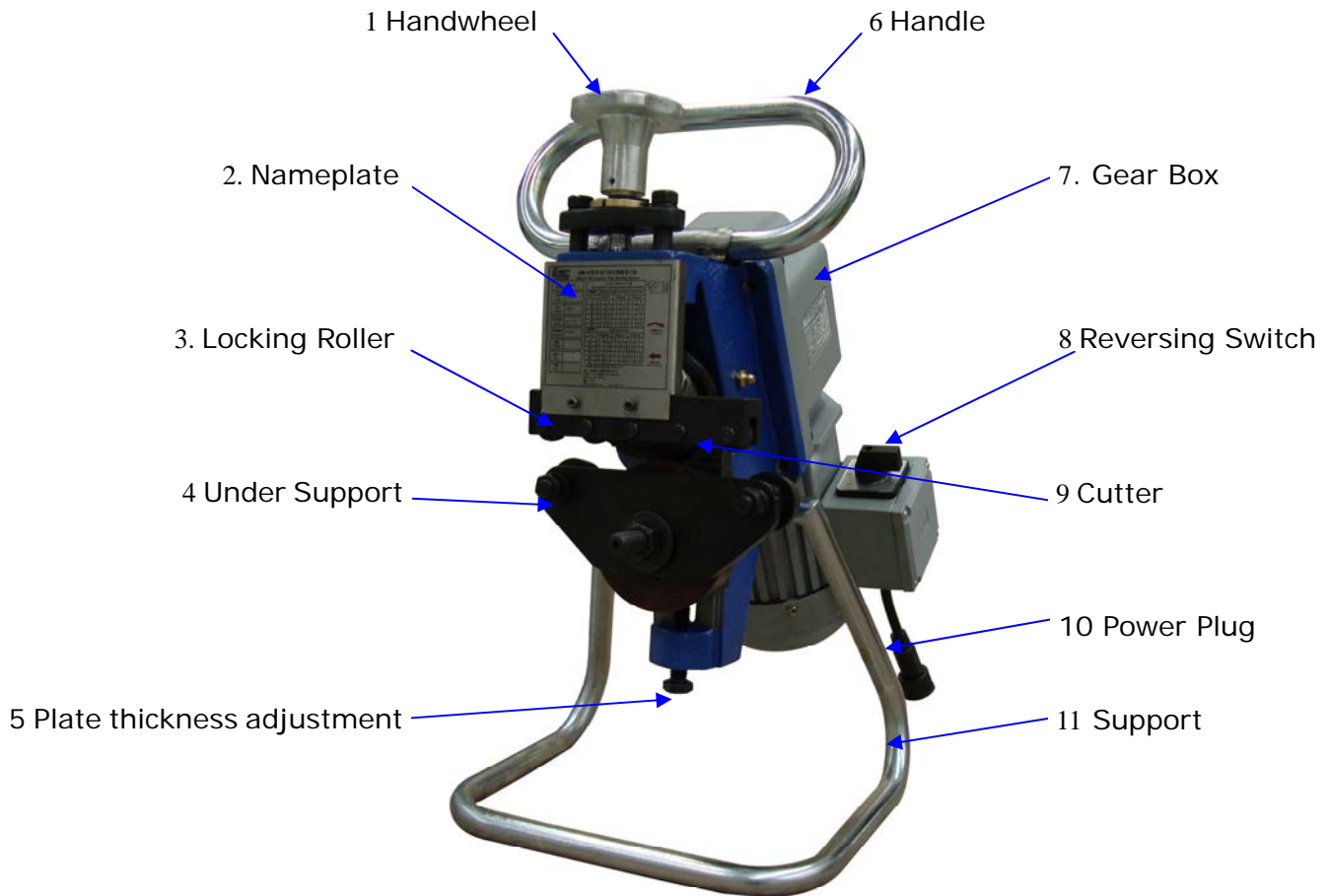


GBM-6C Type Quick Operation Manual



Read the Manual carefully before use!

Shanghai GIRET Machinery and Equipment Co., Ltd.

1. Diagram for Machine:

The Reversing Switch (8) as shown in the diagram, setting three positions: "1", "0", "2". The cutter rotation direction is consistent with sign on the 'nameplate 2', then test the bevel width by processing the non-workpieces. The processing bevel width depends on the actual test results.

2. Instruction:

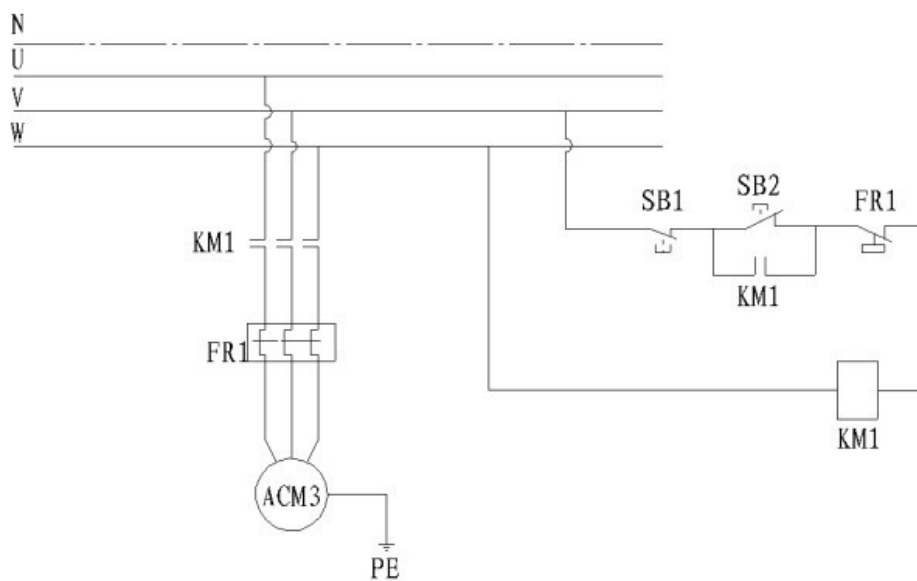
- 1). Put the same plate along the rotation direction, tight Handwheel (1) before processing, and Locking Roller (3) appropriately press the plate, then it complete the work automatically.
- 2). Make a support for large plate, then push the machine from one end of the plate with right rotation direction, and Locking Roller (3) appropriately press the plate, then it complete the work automatically.
- 3). When adjust the bevel width, loosen the bolts on the Under Support (4), rotate the Plate Thickness Adjustment (5), and then tighten the bolts of the Plate Thickness Adjustment (5) .

Note: Advice operator to handle the Handle (6) for suddenly power-down or other reason causing the fall

3 Technical Parameters:

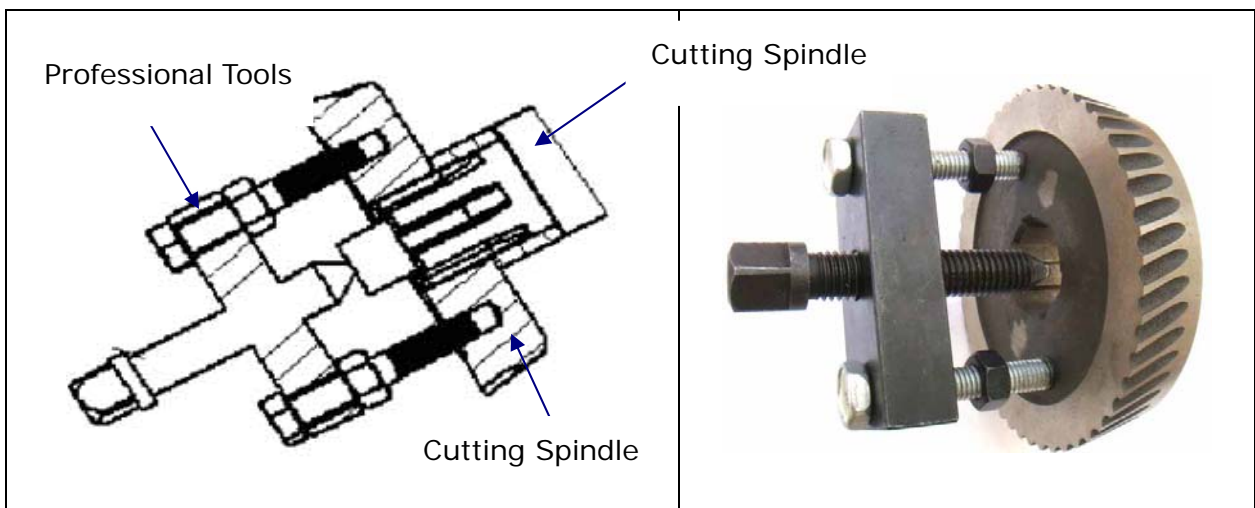
Power Supply: AC380V /220v 50Hz	Power: 400W
Motor Speed: 1450 rpm	Single Bevel Width: 6mm
Bevel Speed: 1.2~1.8m/min	Bevel Angel: 30 ° (Selective)
Plate thickness: 5-16mm	Min. Processing Plate Width: 50mm
N.W.: 29kg	

4. Circuit Diagram:



The specification is the three-phase cable greater than 2.5 mm², check the rotation direction: The direction should be consistent with the red mark, otherwise need to rotate the Reversing Switch (8) or change the connection.

5. The installation and dismantlement of the cutter:





6. Packing List

Name: Self-propelled Plate Bevelling Machine

Type: GBM-6C

No.	Name	Model	Qty	Remark
1	Bevelling Machine	GBM-6C	1Set	
2	Cutter	6 type	3 Pcs	
3	Dismantlement Device	6 type	1 Set	
4	Inner Hex Wrench	V6	1Pcs	
5	Inner Hex Wrench	V10	1 Pcs	
6	Hole Wrench	24#	1 Pcs	
7	Open-end Wrench	19	1 Pcs	
8	Open-end Wrench	21	1 Pcs	
9	Open-end Wrench	12~13	1 Pcs	
10	Operation Manual	GBM-6C	1 Pcs	
11	Certificate		1 Pcs	

Note: One cutter has installed in the machine.

Salesman: _____

Warehouse manager: _____

Operator: _____

Date: _____